

# EX39 Mini

Handheld FTTx Fusion Splicer



Light weight  
& Compact



Suitable for  
working at height



No need tools to  
replace electrodes

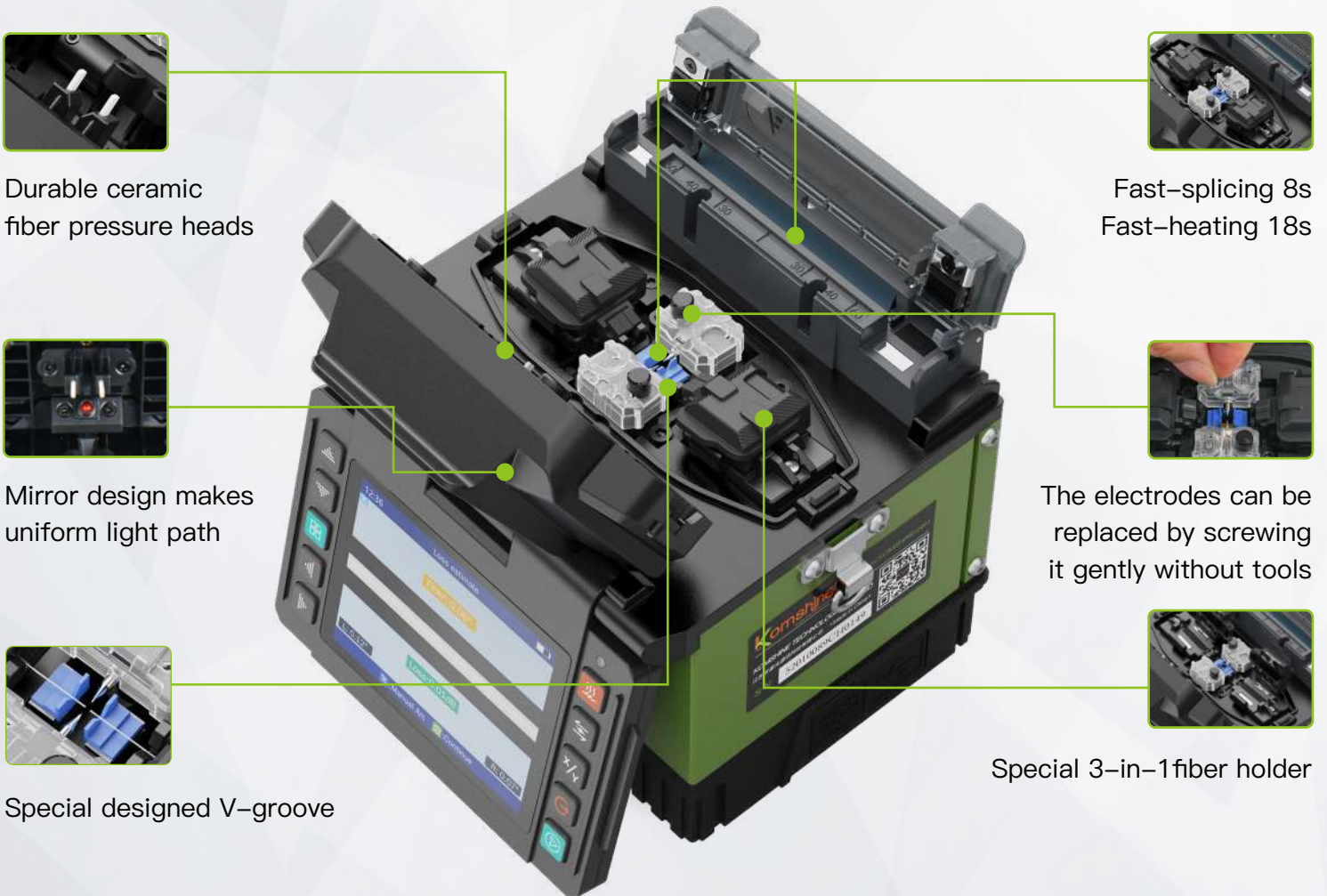


Automatic  
welding heating

## Feature Description

- Efficient, versatile, lightweight & portable
- Working platform design for aerial work
- Special 3-in-1 fiber holder
- 3 years warranty
- Electrode life around 5000 times(Replaceable)
- Automatic splicing & automatic heating
- Innovatively no need tools to replace electrodes
- Support 120 times of splicing + heating when fully charged

## Main Features



## 3-IN-1 Fiber Holder



Jump Fiber



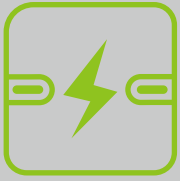
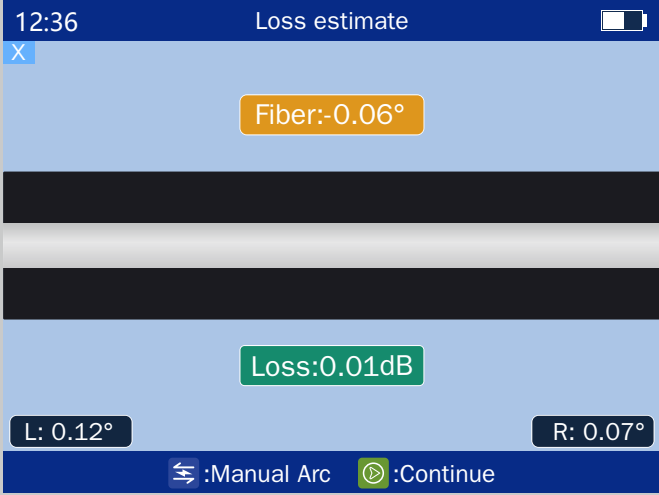
Flat Fiber



Pigtail Fiber



Bare Fiber



Fast-splicing  
8s



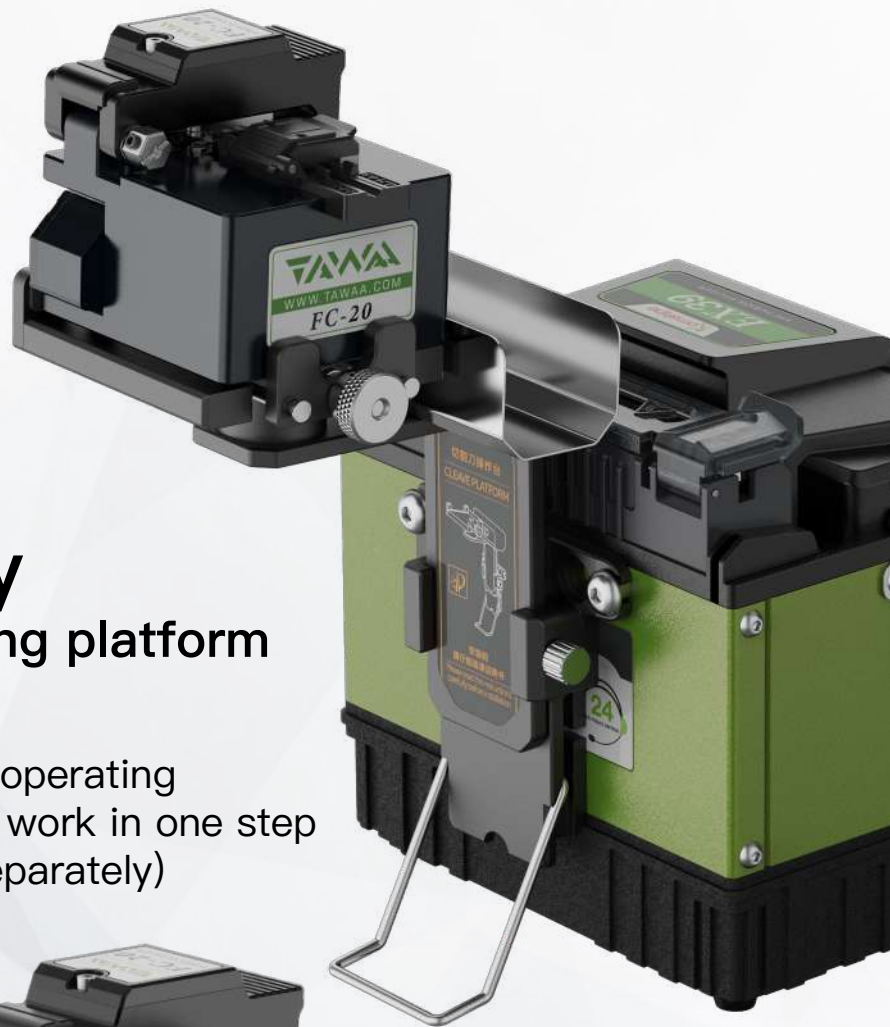
Fast-heating  
18s



## Working platform design for aerial work

High altitude operation adaptability. Not only suitable for aerial work, also suitable for conventional ground work in any environment





## Rich expansibility fiber optic cleaver operating platform (Optional)

Support the placement of cleaver operating platform, do cleaving and splicing work in one step  
(Operation platform be ordered separately)

Suitable for different models  
fiber optic cleavers

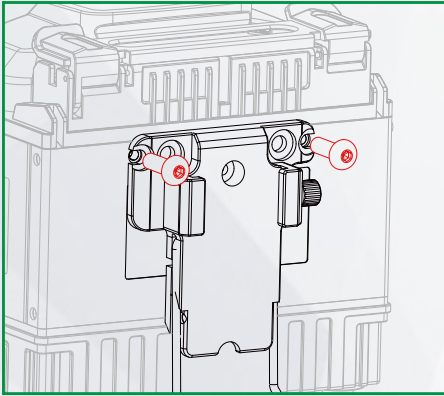


Cooling tray can be placed

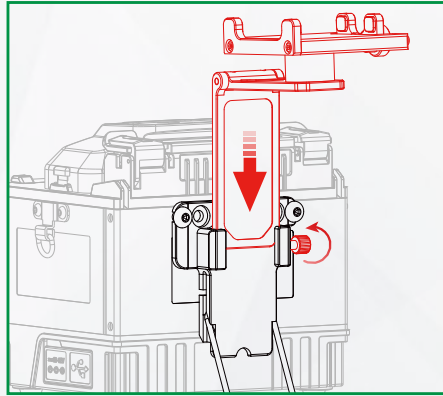
Highly scalable

Invention patent application number 202210544729.X  
Utility model patent application number 202221202906.8

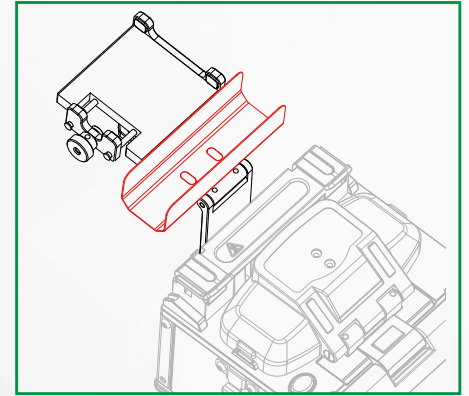
# Installation instructions of fiber optic operating platform



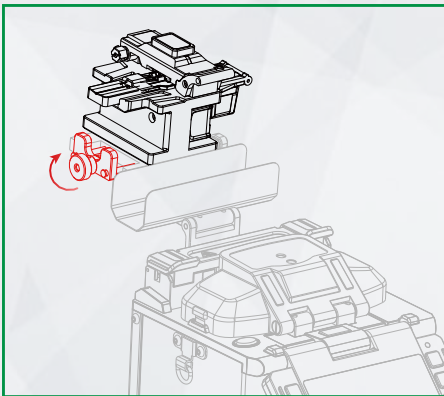
Step 1:  
Install the fixing plate behind the fusion splicer with screws (M3/ M4/ M5).



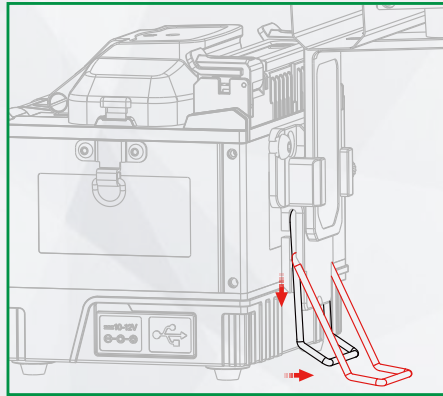
Step 2:  
Insert the support plate into the fixing plate and tighten the fixing screws.



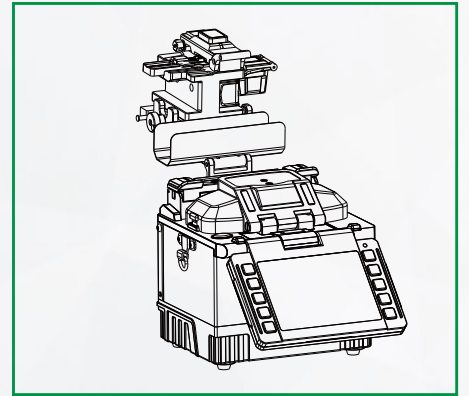
Step 3 :  
Place the cooling tray in the corresponding position of the support plate, and the installation is completed.



Step 4 :  
After placing the fiber cleaver on the operating platform, adjust the depth of the screw so that the rubber pad fits the cleaver completely.



Step 5 :  
Pull the bracket vertically to the bayonet, and then pull it horizontally to support the machine on the table.



Step 6 :  
Now, the bracket installed on the fusion splicer for placing the cleaver and the cooling tray is installed.

Installation completion effect

Operation platform be ordered separately

# Specification

Splice Method :	Active Clad-Alignment
Applicable Fibers :	SM(ITU-T G.652&G.657) / MM(ITU-T G.651) / DS(ITU-T G.653) / NZDS(ITU-T G.655)
Compatible Fiber/Cable :	0.25~3.0 mm / indoor flat cable
Fiber Holder :	Replaceable
Fiber Diameter :	Cladding: 80~150µm, Coating: 100~1000µm
Fiber Cleave Length :	8~16 mm
Splice mode :	Max 128 modes
Typical Splice Loss :	SM: 0.03dB / MM: 0.01dB / DS: 0.04dB / NZDS: 0.04dB / G.657: 0.03dB ★①
Return Loss :	>>60dB
Splicing Time :	SM Quick mode : 8 sec / SM Average: 10 Sec
Estimated Splice Loss :	Available
Heating Time :	Quick mode 18 sec.(SM G652 250µm 40mm Sleeve) adjustable★②
Protection Sleeve Length :	20mm, 30mm, 40mm, 50mm, 60mm
Heat Programs:	Max 32 modes
Battery :	4000mAh Battery Capacity, Typical 120 Cycles (Splice&Heat) per Charge ★③
Electrode Life :	5000 arcs (replaceable) ★④
Auto-start :	Splice / Heating
Automatic Fiber Identification :	/
Automatic ARC Identification :	Automatic arc calibration by air pressure and temperature
Results Storage :	The last 10,000 splice records and 2,000 result images
Tension Test :	1.96~2.25N
Operating Condition :	Altitude: 0~5000m, 0~95% relative humidity, -20~50°C, Max Wind 15m/s
Storage Condition :	0~95% relative humidity, -20~60°C
Display :	3.5" color high resolution (800 x 480) display
Fiber Magnification :	X, Y, XY, X/Y : 320X Magnification
Power Supply :	AC 100~240V, DC 9~14V
Terminal :	USB2.0
Weight :	1.06kg without battery / 1.35kg with battery
Size :	130H x 113W x 126D mm

★① With identical fibres(in room temperature). Measured by cut-back method relevant to ITU-T and IEC standards.

★② 0.25mm fiber,may vary depending on the battery status and operating environment.

★③ Splice & Heat cycles based on 40mm shrink tube.

★④ Electrode life may vary depending on the operating environment.

## Product Display



## Packing List

- ① Carry bag (Including Suspenders & belts)
- ② Power charger
- ③ Fiber optic cleaver box
- ④ EX39 Mini Fusion splicer
- ⑤ FOCW Cleaning wipes(box)
- ⑥ FPS-40 Splicing protector sleeves
- ⑦ Alcohol bottle
- ⑧ FC-20 Fiber optic cleaver
- ⑨ FTS-01 Drop cable stripper
- ⑩ FIS-FT11301T 3-hole fiber stripper
- ⑪ Cooling tray



## HEAD OFFICE

KomShine Technologies Limited

## CONTACT US

Add: 2F Bldg. D Qinheng Tech. Pk. Nanjing, JS, 210001, China

TEL: +86 25 66047688

Web: [www.KomShine.com](http://www.KomShine.com)

Mail: [info@komshine.com](mailto:info@komshine.com)

\* Komshine reserves the right to improve, enhance, or modify the features and specifications of KomShine products without prior notification.

\* Company and product names appearing in this catalogue are registered marks or trademarks of respective companies.

\* This catalogue is printed using environmentally friendly paper and ink.